

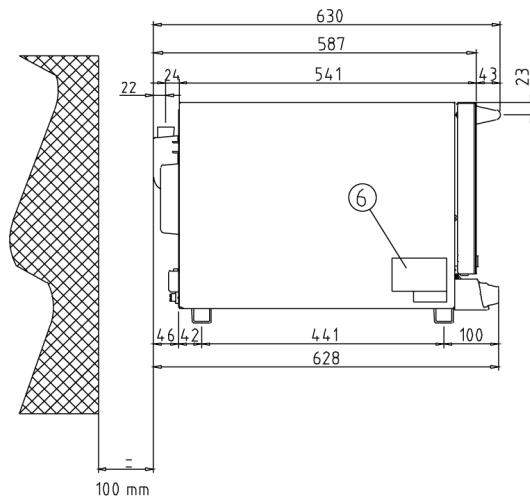
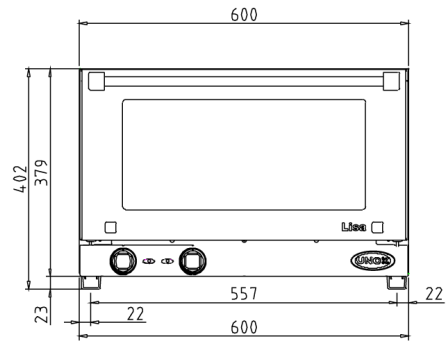
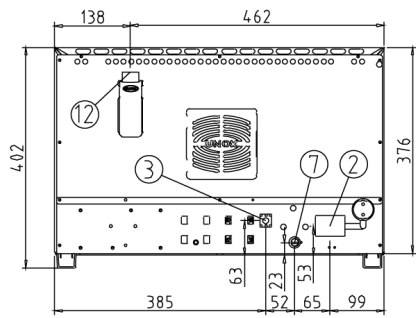
## ● LISA (Manual) XF013



LISA (Manual)

XF013

|               |                |
|---------------|----------------|
| Kapazität     | 3 460x330      |
| Abstand       | 70 mm          |
| Frequenz      | 50 / 60Hz      |
| Spannung      | 230 V~ 1N      |
| Anschlusswert | 2,7 kW         |
| Abmessungen   | 600x402x587 mm |
| Gewicht       | 20 kg          |



**ELETTRICO**
**BAKING MODES**

Convection baking 30 °C - 260 °C

•

Mixed humidity and convection baking 48 °C - 260 °C

-

**AIR DISTRIBUTION IN THE BAKING CHAMBER**

AIR.Maxi™ technology: fans with reversing gear for models 600x400

•

AIR.Maxi™ technology: fans with reversing gear for models 460x330

-

**CLIMA MANAGEMENT IN THE BAKING CHAMBER**

DRY.Maxi™ technology: quick extraction of the humidity from the baking chamber

•

STEAM.Maxi™ technology: injection humidity from 20 to 100%, settable from the control panel

-

STEAM.Maxi™ technology: manual injection humidity

-

Pompa che permette al forno di aspirare acqua dal serbatoio (per modelli 460x330)

-

Elettrovalvola che permette di collegare il forno direttamente alla rete idrica (per modelli 600x400)

-

**PANS**

Pans aluminium flat (only for models 460x330)

•

**AUXILIARIES FUNCTIONS**

70 baking programs memory, each one composed by 3 steps

-

70 baking programs memory, each one composed by 1step

-

Protek.SAFE™ technology: maximum thermal efficiency and working safety (cold door glass and external surfaces)

•

Visualization of the set and real values of time left to finish the baking program

•

Continuous functioning «INF»

•

Visualization of the set and real values of the baking chamber temperature

-

Temperature unit settable in °C or °F

-

**DOOR OPENING**

Manual up-to-down door opening

•

Right-to-left door opening

-

Automatic door opening at the end of the baking program

-

**TECHNICAL DETAILS**

Rounded baking chamber made of high resistant AISI 304 stainless steel for hygiene and easy of cleaning

-

Rounded baking chamber made of high resistant ferritic steel for hygiene and easy of cleaning

•

Halogen lights

-

Baking chamber lights

•

Light weight – heavy duty structure using innovative materials

•

Proximity door contact switch

• (XF043)

Autodiagnosys system for problems or brake down

-

Safety temperature switch

•