

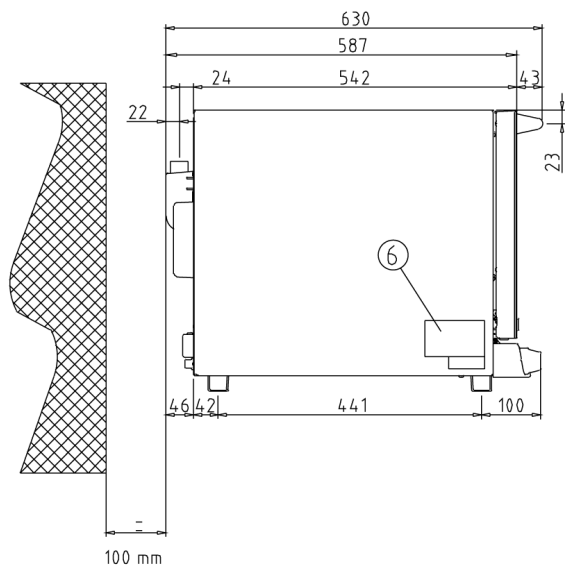
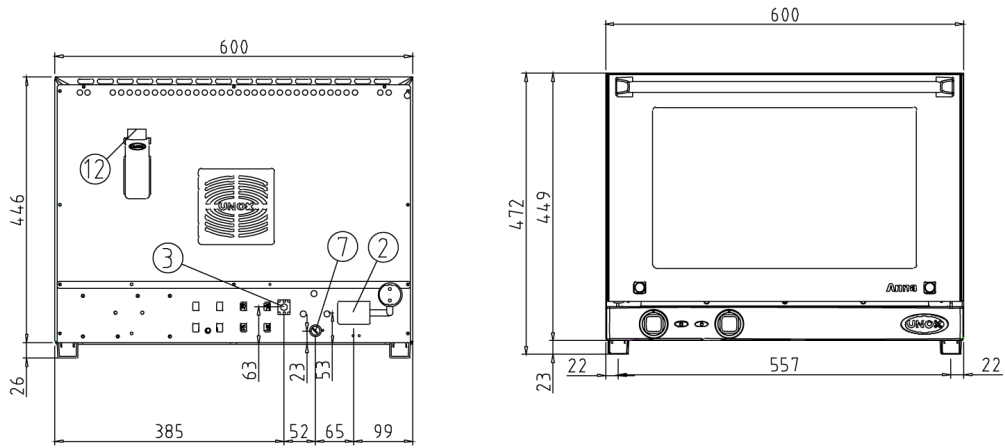
ANNA (Manual) XF023



ANNA (Manual)

XF023

Kapazität	4 460x330
Abstand	70 mm
Frequenz	50 / 60 Hz
Spannung	230 V~ 1N
Anschlusswert	3,0 kW
Abmessungen	600x472x587 mm
Gewicht	22 kg



ELETRICO
BAKING MODES

- Convection baking 30 °C - 260 °C •
- Mixed humidity and convection baking 48 °C - 260 °C -

AIR DISTRIBUTION IN THE BAKING CHAMBER

- AIR.Maxi™ technology: fans with reversing gear for models 600x400 •
- AIR.Maxi™ technology: fans with reversing gear for models 460x330 -

CLIMA MANAGEMENT IN THE BAKING CHAMBER

- DRY.Maxi™ technology: quick extraction of the humidity from the baking chamber •
- STEAM.Maxi™ technology: injection humidity from 20 to 100%, settable from the control panel -
- STEAM.Maxi™ technology: manual injection humidity -
- Pompa che permette al forno di aspirare acqua dal serbatoio (per modelli 460x330) -
- Elettrovalvola che permette di collegare il forno direttamente alla rete idrica (per modelli 600x400) -

PANS

- Pans aluminium flat (only for models 460x330) •

AUXILIARIES FUNCTIONS

- 70 baking programs memory, each one composed by 3 steps -
- 70 baking programs memory, each one composed by 1step -
- Protek.SAFE™ technology: maximum thermal efficiency and working safety (cold door glass and external surfaces) •
- Visualization of the set and real values of time left to finish the baking program •
- Continuous functioning «INF» •
- Visualization of the set and real values of the baking chamber temperature -
- Temperature unit settable in °C or °F -

DOOR OPENING

- Manual up-to-down door opening •
- Right-to-left door opening -
- Automatic door opening at the end of the baking program -

TECHNICAL DETAILS

- Rounded baking chamber made of high resistant AISI 304 stainless steel for hygiene and easy of cleaning -
- Rounded baking chamber made of high resistant ferritic steel for hygiene and easy of cleaning •
- Halogen lights -
- Baking chamber lights •
- Light weight – heavy duty structure using innovative materials •
- Proximity door contact switch • (XF043)
- Autodiagnosys system for problems or brake down -
- Safety temperature switch •