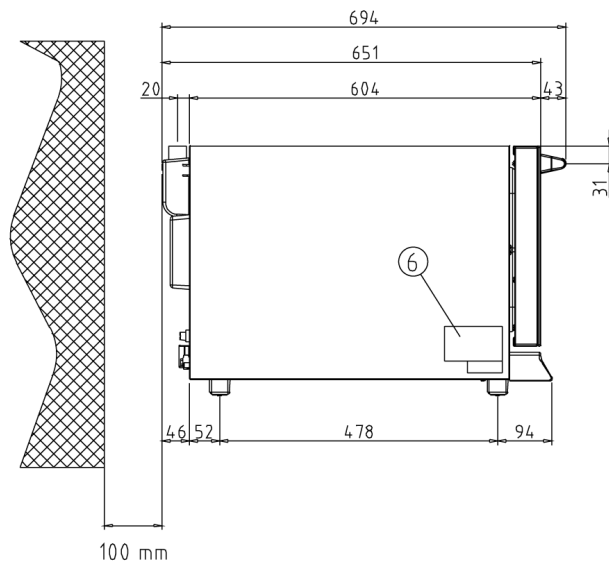
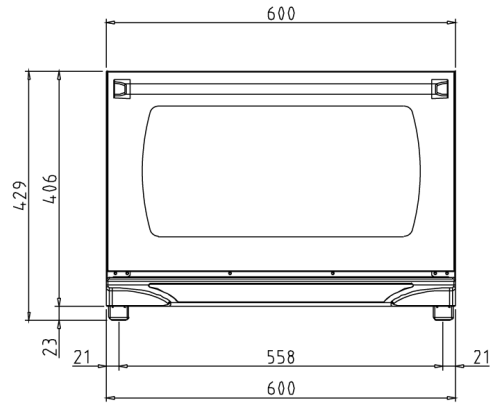
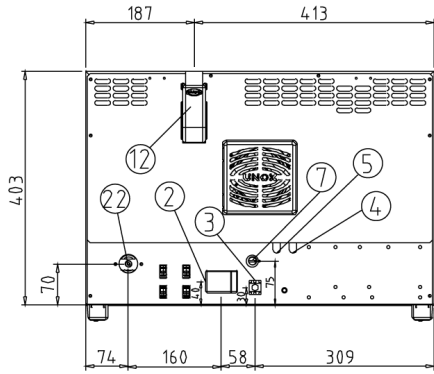


● **STEFANIA XF110-B**



| STEFANIA      | XF110-B        |
|---------------|----------------|
| Kapazität     | 3 460x330      |
| Abstand       | 75 mm          |
| Frequenz      | 50 / 60 Hz     |
| Spannung      | 230 V~ 1N      |
| Anschlusswert | 3 kW           |
| Abmessungen   | 600x429x650 mm |
| Gewicht       | 25 kg          |



|  | MATIC | DYNAMIC | CLASSIC | MANUAL HUM. |
|--|-------|---------|---------|-------------|
| <b>BAKING MODES</b>  |       |         |         |             |
| Convection baking 30 °C - 260 °C   | •     | •       | •       | •           |
| Mixed humidity and convection baking 48 °C - 260 °C  | •     | •       | -       | •           |
| <b>AIR DISTRIBUTION IN THE BAKING CHAMBER</b>  |       |         |         |             |
| AIR.Maxi™ technology: fans with reversing gear for models 600x400  | •     | •       | •       | •           |
| AIR.Maxi™ technology: fans with reversing gear for models 460x330  | •     | •       | •       | -           |
| <b>CLIMA MANAGEMENT IN THE BAKING CHAMBER</b>  |       |         |         |             |
| DRY.Maxi™ technology: quick extraction of the humidity from the baking chamber                                 | •     | •       | •       | •           |
| STEAM.Maxi™ technology: injection humidity from 20 to 100%, settable from the control panel                    | •     | •       | -       | -           |
| STEAM.Maxi™ technology: manual injection humidity  | -     | •       | -       | •           |
| Pompa che permette al forno di aspirare acqua dal serbatoio (per modelli 460x330)                              | 0     | 0       | 0       | 0           |
| Elettrovalvola che permette di collegare il forno direttamente alla rete idrica (per modelli 600x400)          | 0     | 0       | 0       | 0           |
| <b>PANS</b>  |       |         |         |             |
| Pans aluminium flat (only for models 460x330)  | •     | •       | •       | •           |
| <b>AUXILIARIES FUNCTIONS</b>   |       |         |         |             |
| 70 baking programs memory, each one composed by 3 steps  | •     | •       | -       | -           |
| 70 baking programs memory, each one composed by 1step  | -     | -       | •       | -           |
| Protek.SAFE™ technology: maximum thermal efficiency and working safety (cold door glass and external surfaces) | •     | •       | •       | •           |
| Visualization of the set and real values of time left to finish the baking program                             | •     | •       | •       | •           |
| Continuous functioning «INF»   | •     | •       | •       | •           |
| Visualization of the set and real values of the baking chamber temperature                                     | •     | •       | •       | -           |
| Temperature unit settable in °C or °F  | •     | •       | •       | -           |
| <b>DOOR OPENING</b>  |       |         |         |             |
| Manual up-to-down door opening   | -     | •       | •       | •           |
| Right-to-left door opening   | •     | -       | -       | -           |
| Automatic door opening at the end of the baking program  | •     | -       | -       | -           |
| <b>TECHNICAL DETAILS</b>   |       |         |         |             |
| Rounded baking chamber made of high resistant AISI 304 stainless steel for hygiene and easy of cleaning        | •     | •       | •       | •           |
| Rounded baking chamber made of high resistant ferritic steel for hygiene and easy of cleaning                  | -     | -       | -       | -           |
| Halogen lights   | •     | •       | •       | •           |
| Baking chamber lights  | -     | -       | -       | -           |
| Light weight – heavy duty structure using innovative materials   | •     | •       | •       | •           |
| Proximity door contact switch  | •     | •       | •       | -           |
| Autodiagnosys system for problems or brake down  | •     | •       | •       | -           |
| Safety temperature switch  | •     | •       | •       | •           |